

WBK-D | Digital Compression Load Cell



Features

- ▶ Simple installation and effective maintenance
- ▶ High accuracy RS-485 digital output
- ▶ Stainless steel construction
- ▶ IP68 and hermetic sealing
- ▶ Diagnosis function
- ▶ Built-in lighting protection device
- ▶ Maximum transmission distance : 1,000m

Options

- ▶ Accessory set

DESCRIPTION

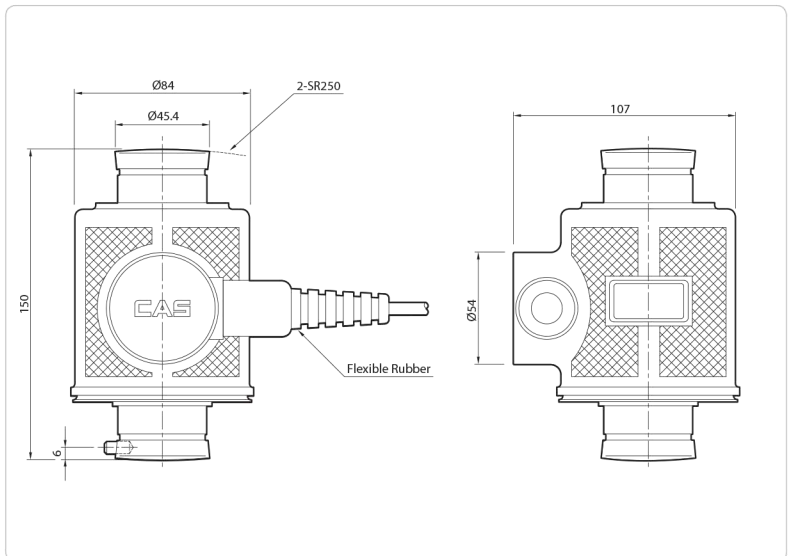
The WBK-D digital Load Cell is designed for use in truck scales and process weighing applications.

It is a stainless steel compression Load Cell with a digital output signal. Using the digital output, the user can communicate with each Load Cell independently and have the additional advantages of a digital calibration.

Specification

Capacity(R.L.)		tf	10, 20, 25, 30
Maximum number of verification intervals(n)		-	5,000, C4(OIML)
Rated Output		counts	300,000
Zero Balance		counts	± 300
Non-Linearity		% R.O.	< 0.015
Hysteresis		% R.O.	< 0.015
Combined Error		% R.O.	< 0.015
Repeatability		% R.O.	< 0.01
Creep for 30min		% R.O.	< 0.017
Temperature Effect on	-Zero Value	% R.O./10°C	0.014
	-Output Value	% R.O./10°C	0.011
Compensated Temperature Range		°C	-10 ~ +40
Operating Temperature Range		°C	-40 ~ +70
Excitation Voltage	-Minimum	V	6
	-Recommended	V	9
	-Maximum	V	24
Safety Overload		% R.C.	150
Material		-	Stainless steel
Communication		-	RS-485 (2wire)
Communication Rate		kbit/sec	19.2
Maximum Transmission Cable Length		m	1,000
Warm-up Time from Cold Start		minutes	15
Asynchrone Interface Baudrate		Baud	9,600 ~ 115,200
Number of bus addresses		-	Max. 16

Dimension



Application

- ▶ Truck scale
- ▶ Hopper and silo scale