



JCS Series

Counting Scale

- LCD clear blue color back light display
- Save the unit weight and gross weight of 100 plus



CAS

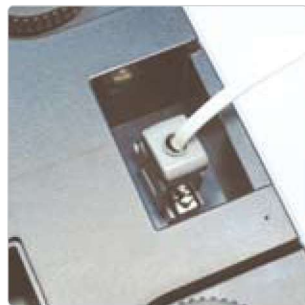
JCS Series | Counting Scale

Specification

Model	JCS-3	JCS-6	JCS-15	JCS-30
Max. Capacity	3kg*0.1g	6kg*0.2g	15kg*0.5g	30kg*1g
Display digit	6 (weight)			
Display type	LCD			
Weighing type	Loadcell			
Power	AC adapter 220V Rechargeable battery			
Operating temperature	-10°C~+40°C			
Platter size	260(W)*210(D)			
Dimension	260(W)*295(D)*137(H)			
Product weight	3.2KG			

Features:

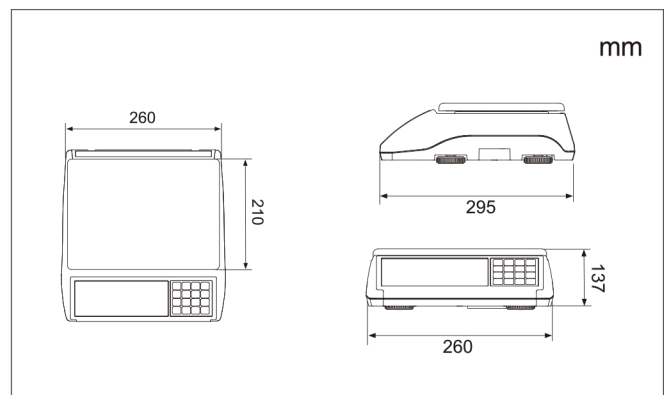
- Has the accumulation number of times and quantity function
- Has the single automatic average, the quota caution function
- Zero tracking , tare, carry conveniently
- Totally save the unit weight and gross weight of 100 plus
- Has zero spot, the net weight, quantity to accumulate, quantity insufficient ;the single insufficiency, the charge demonstration, the electric quantity insufficient, to arrive at the initialization to select
- the unit kg/g/lb directive function
- The AC/DC rechargeable battery
- Outward appearance design is succinct



JCS PIC



Dimension



CAS

Address. No 448 MaiXin Road XinQiao Town
SongJiang ShangHai City China
TEL:(021)57680558 FAX:(021)57680560

www.cas-china.com www.globalcas.com