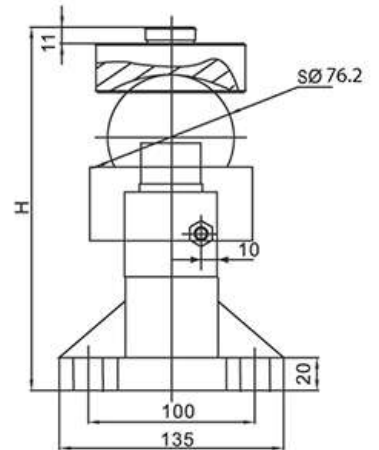
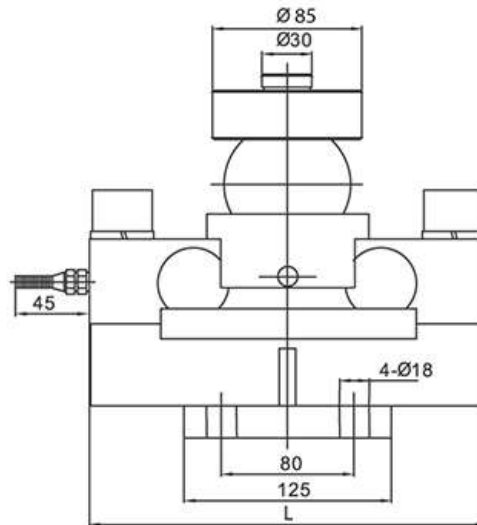
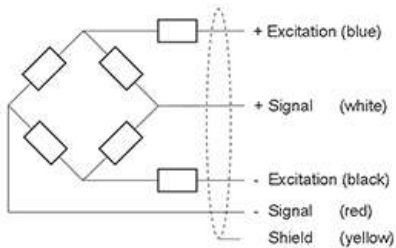


MK - LU- D/P Digital Load Cell Series



FEATURE:

- Built in lightning protection
- High precision, reliability and super stability
- Design of stainless steel ball, cup has super functions in self-restoring corner pre-adjustment
- Anti-wallop and anti side force
- Easy to installation good interchangeability
- PVC Anti rats cable protection, high temperature
- Application to truck scale, railway scale hopper scale and other weighing equipment
- MK-LU-D-U is compatible for MK-Di01-U indicator
- MK-LU-D-P is compatible for MK-Di01-P indicator



SPECIFICATION

Rated capacities	30t	Temperature effect sensitivity	±0.02%F.S/10°C
Rated Output	30000	Temperature, operating	-30°C~+70°C
Combine error	±0.02%F.S	Maximum safe overload	150%F.S
Creep (30 min)	±0.02%F.S	Excitation, recommended	9-12V DC
Zero balance	±0.1%F.S	Excitation, maximum	20V DC
Communication Baud Rate	9600 BPS	Protection class	IP 68
Insulation resistance	≥ 2000 MΩ	Digital refurbishing	Frequency : 15
TC SPAN	±0.02%F.S/10°C	Material	Alloy steel