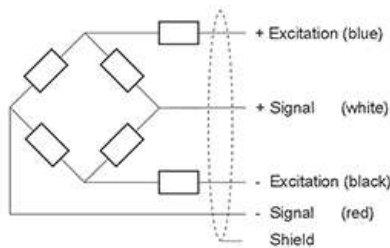
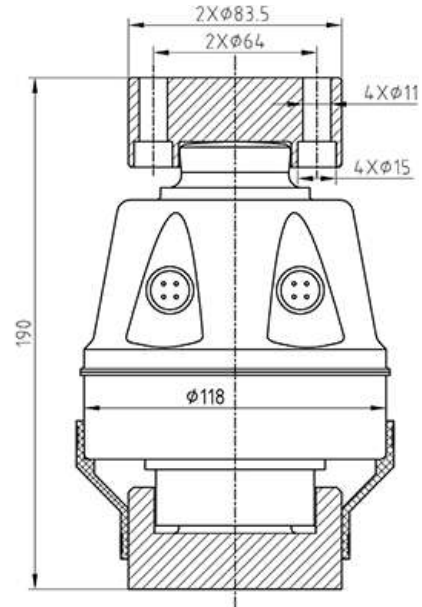


# MK - PDX New Technology Digital Load cell

**FEATURE:**

- High accuracy
- No junction box installation
- Water proof and lightning protection
- Upper and lower inhibitors design, Easy installation
- Radio frequency interference
- Dynamic response, and super capacity for anti-overload
- High quality stainless steel construction
- Hermetically sealed IP69K protection class
- PVC anti rat cable protection, high temperature
- Quick connection cable
- Truck scale, hopper scale, and tank weighing application
- Compatible for all MK Digital indicator



## SPECIFICATION

Rated load	30,50t	Insulation resistance	≥2000MΩ
Rated Output	30000,50000	Nominal Temp Range	-10°C~+40°C
Digital Refurbishing Frequency	15	Service Temp Range	-30~+70°C
Communication BPS	9600BPS/19200BPS	Safe load limit	150%F.S
Combined Error	±0.02%F.S	Breaking load	300%F.S
Creep (30 min)	±0.02%F.S	Protection Class	IP69K
TC ZERO	±0.02%F.S/10°C	Recommended Excitation	9~12VDC
TC SPAN	±0.02%F.S/10°C	Maximum Excitation	20VDC
		Material	Stainless Steel