

EXI 200AD

EX-Proof/ATEX

FLOOR SCALE



Introductions

CAS EXI 200AD is an explosion-proof indicator that is suitable for explosion-proof platform scale, weighing explosive substances, checker scale and packer scale..

Feature

- Max. capacity 500kg~2t
- Readability 100g~500g
- Explosion-proof, Dust explosion protector
- Water proof (IP66)
- Easy installation & repairing
- Accumulating function
- Sample rate(A/D conversion speed):
5~320 times/sec
- Resolution : 1/10,000
- Constant voltage touch method
- Red LED Display
- Four units of explosive proof LOADCELL
- One unit of explosive proof Junction Box



Optional:

- RS-485(Stream mode, Command Mode, MODBUS RTU)
- External I/O: - 2 Inputs / 4 outputs
- Analog output (0~20mA, 0~24mA, 4~20mA, 0~5V, 0~10V, ±5V, ±10V)
- Ethernet

Suitable for:

- Steel Industry
- Chemical Plant
- Industrial Plant

EXI 200AD INDICATOR



EXI series

Compressive Explosion Proof Indicator



Feature

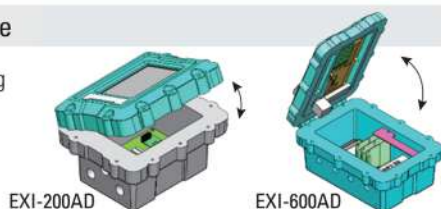
Explosion proof

- Explosion-proof, Dust explosion protection
- Water proof(IP66)



Front opening structure

- Easy installation & repairing



Fast and accurate weighing performance

- Sample rate(A/D conversion speed) : 5~320 times/sec
- Resolution : 1/10,000



Touch keypad

- Constant voltage touch method



User-friendly Graphic interface(EXI-600AD)

- Use 4.3" Full Graphic TFT LCD
- Display many information (message, data)



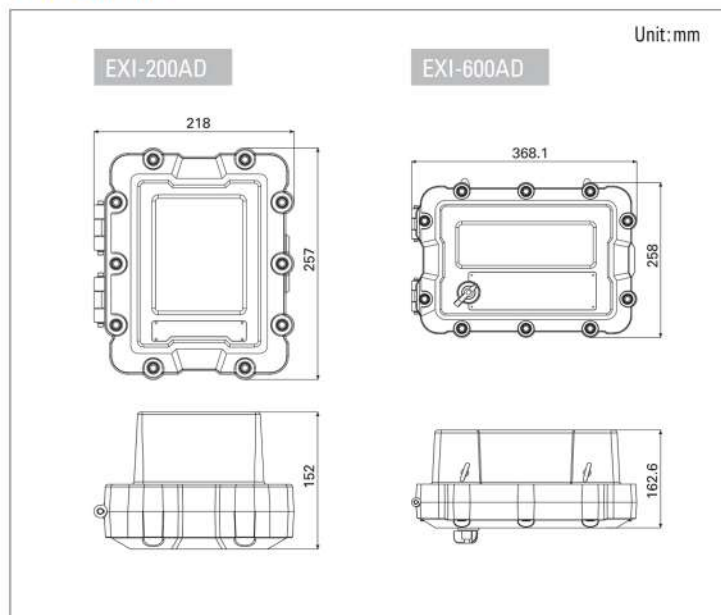
Variety of interfaces

- RS-485(Stream mode, Command Mode, MODBUS RTU)
- External I/O
 - 2 Inputs / 4 outputs(EXI-200AD)
 - 4 Inputs / 6 outputs(EXI-600AD)
 - 6 Inputs / 8 outputs(EXI-600AD)
- Analog output(0~20mA, 0~24mA, 4~20mA, 0~5V, 0~10V, ±5V, ±10V)
- BCD output(EXI-600AD)
- Ethernet

Specification

Model	EXI-200AD	EXI-600AD
Exp. Grade	Ex d IIB+H2 T6 (Ex tD A21 T80~120°C IP66)	Ex d IIB+H2 T6 (Ex tD A21 T80~120°C IP66)
In. Sensitivity	0.5□ / D(0.2□ / D)	0.5□ / D(0.3□ / D)
Ex. Voltage	DC5V	DC5V
Loadcell Conn.	8EA(350ohm)	8EA(350ohm)
Zero Adj. Range	0 mV/V ~ 2 mV/V	0 mV/V ~ 2 mV/V
A/D SPS	320 times/sec	200 times/sec
DISPLAY	7 segment 6digits LED	4.3" Graphic LCD
INTERFACE	RS-232C x 2ea	RS-232C x 2ea
Option	RS-422/485(MODBUS RTU)	RS-422/485(MODBUS RTU)
	Analog out(4~20mA, 0~10V)	Analog out(4~20mA, 0~10V)
	Ethernet	BCD-OUT
	EXT I/O : 2 inputs, 4 outputs	RS-232C to USB
	-	Ethernet Card
	-	EXT I/O : 4 inputs, 6 outputs
-	EXT I/O : 6 inputs, 8 outputs	

Dimension



Application

- Steel Industry
- Chemical Plant
- Industrial Plants





EXI series

CAS EXI 200AD



Specifications

Model	EXI 200AD Floorscale	
Platform Size	Capacity	Readability
1000 x 1000mm	500kg~1000kg	0.5kg
1200 x 1200mm	500kg~2000kg	0.5kg
1200 x 1500mm	2000kg~3000kg	0.5kg~1kg
1500 x 1500mm	1000kg~5000kg	0.5kg~2kg
1500 x 2000mm	1000kg~5000kg	0.5kg~2kg
2000 x 2000mm	1000kg~5000kg	0.5kg~2kg
2000 x 3000mm	2000kg~5000kg	0.5kg~2kg

