

EXI series

Compressive Explosion Proof Indicator

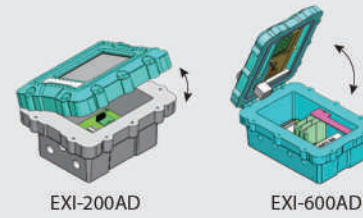
EXI Series is an explosion-proof indicator that is suitable for explosion-proof platform scale, weighing explosive substances, checker scale and packer scale.



EXI-200AD



Front opening structure



Variety of interfaces



EXI series

Compressive Explosion Proof Indicator



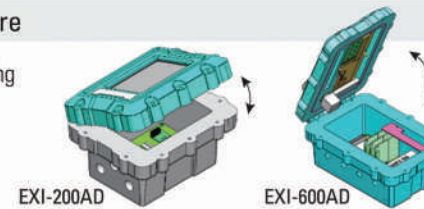
Explosion proof

- Explosion-proof, Dust explosion protection
- Water proof(IP66)



Front opening structure

- Easy installation & repairing



Fast and accurate weighing performance

- Sample rate(A/D conversion speed) : 5~320 times/sec
- Resolution : 1/10,000



Touch keypad

- Constant voltage touch method



User-friendly Graphic interface (EXI-600AD)

- Use 4.3" Full Graphic TFT LCD
- Display many information (message, data)



Variety of interfaces

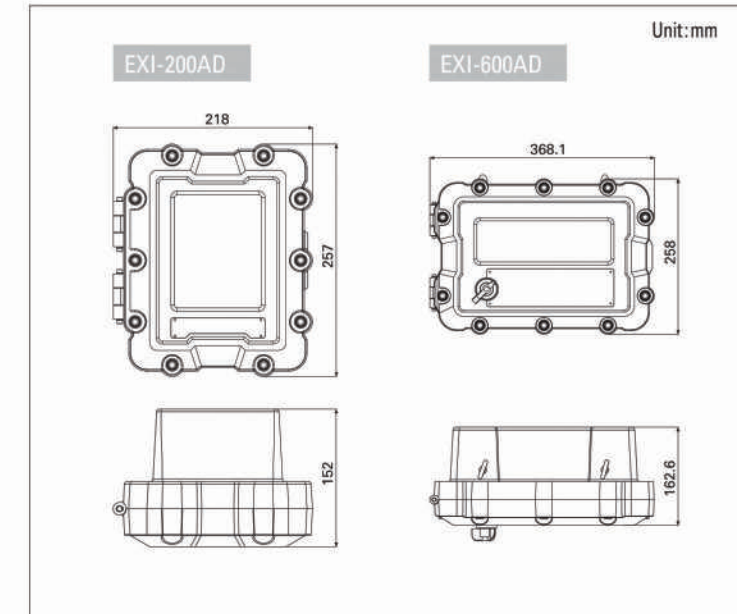
- RS-485(Stream mode, Command Mode, MODBUS RTU)
- External I/O
 - 2 Inputs / 4 outputs(EXI-200AD)
 - 4 Inputs / 6 outputs(EXI-600AD)
 - 6 Inputs / 8 outputs(EXI-600AD)
- Analog output(0~20mA, 0~24mA, 4~20mA, 0~5V, 0~10V, ±5V, ±10V)
- BCD output(EXI-600AD)
- Ethernet



SPECIFIC ION S

Model	EXI-200AD	EXI-600AD
Exp. Grade	Ex d IIB+H2 T6 (Ex tD A21 T80~120°C IP66)	Ex d IIB+H2 T6 (Ex tD A21 T80~120°C IP66)
In. Sensitivity	0.5□ / D(0.2□ / D)	0.5□ / D(0.3□ / D)
Ex. Voltage	DC5V	DC5V
Loadcell Conn.	8EA(350ohm)	8EA(350ohm)
Zero Adj. Range	0 mV/V ~ 2 mV/V	0 mV/V ~ 2 mV/V
A/D SPS	320 times/sec	200 times/sec
DISPLAY	7 segment 6digits LED	4.3" Graphic LCD
INTERFACE	RS-232C x 2ea	RS-232C x 2ea
Option	RS-422/485(MODBUS RTU)	RS-422/485(MODBUS RTU)
	Analog out(4~20mA, 0~10V)	Analog out(4~20mA, 0~10V)
	Ethernet	BCD-OUT
	EXT I/O : 2 inputs, 4 outputs	RS-232C to USB
	-	Ethernet Card
	-	EXT I/O : 4 inputs, 6 outputs
-	EXT I/O : 6 inputs, 8 outputs	

DIMEnSlon



PPLIC Ion

- Steel Industry
- Chemical Plant
- Industrial Plants

Scan with your smartphone to find more products



Explosion proof

Front opening structure

Fast and accurate weighing performance

Variety of interfaces