

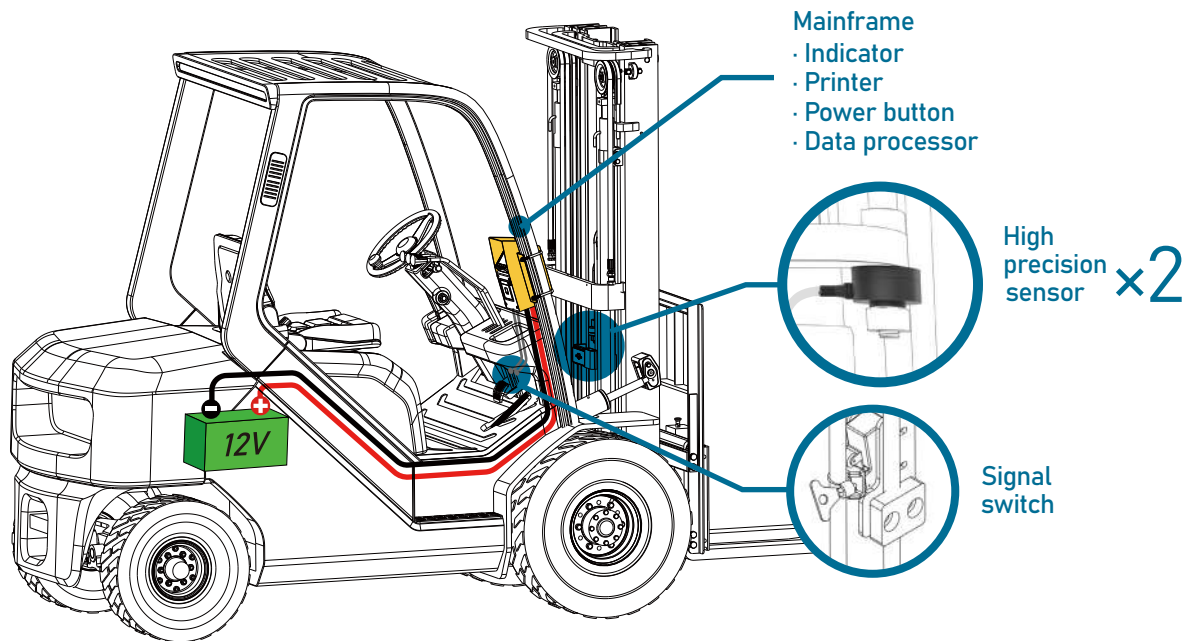
MK-FLS

SMART SCALE



“Simplicity & Utility”

Patented technology, to overturn the traditional way of weighing in logistic industry



“Step ahead”

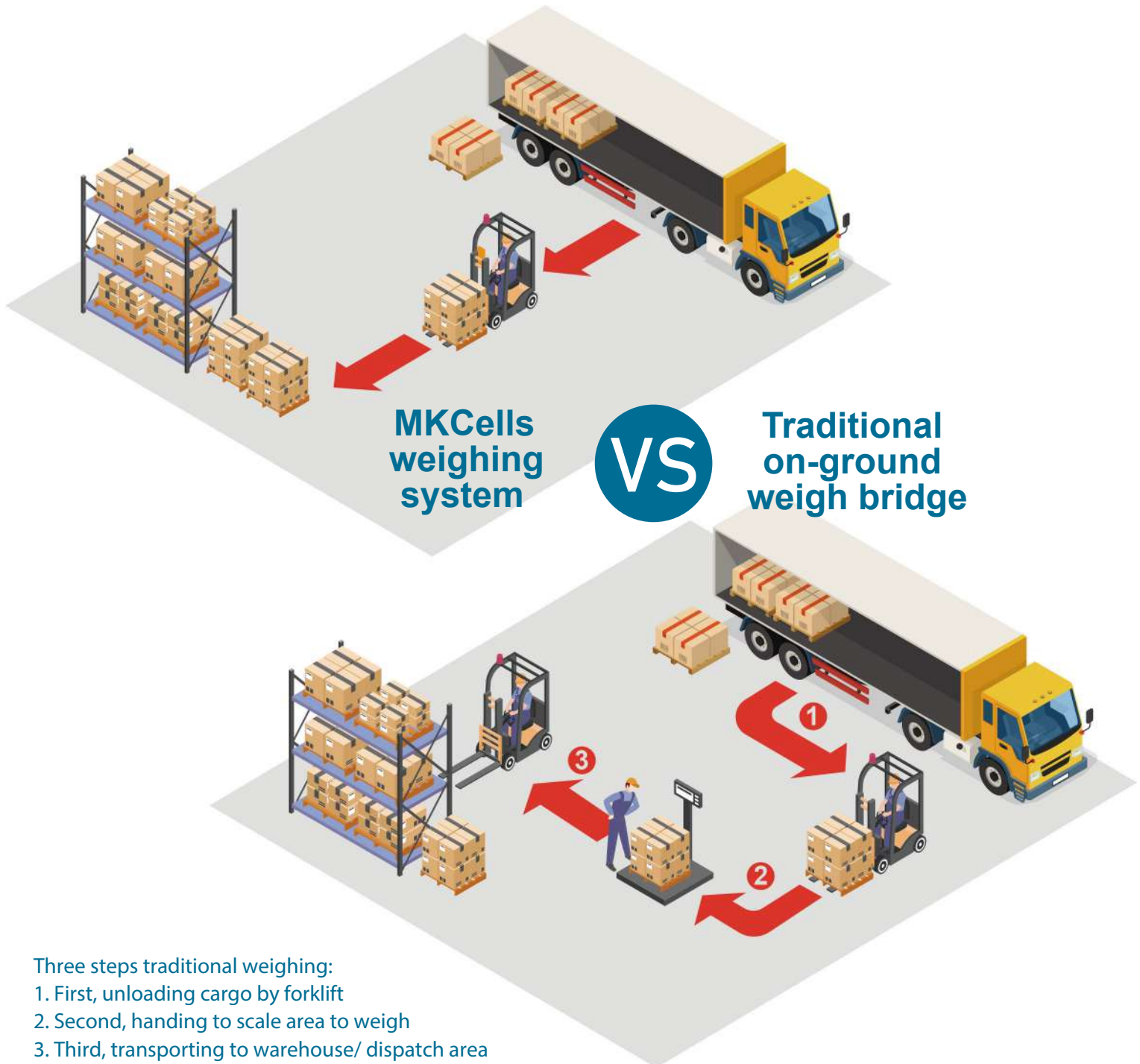
The first half step, ahead all the way

Improve handling efficiency

Decrease fuel consumption

Minimize risks of damage

Save working space



MKCells weighing system

VS

Traditional on-ground weigh bridge

Three steps traditional weighing:
1. First, unloading cargo by forklift
2. Second, handing to scale area to weigh
3. Third, transporting to warehouse/ dispatch area
(Average time-consuming: 3 - 5 minutes)



“Be attentive”

High-Q chip & patented AI technology ,
to assure accurate weighing every time

99%

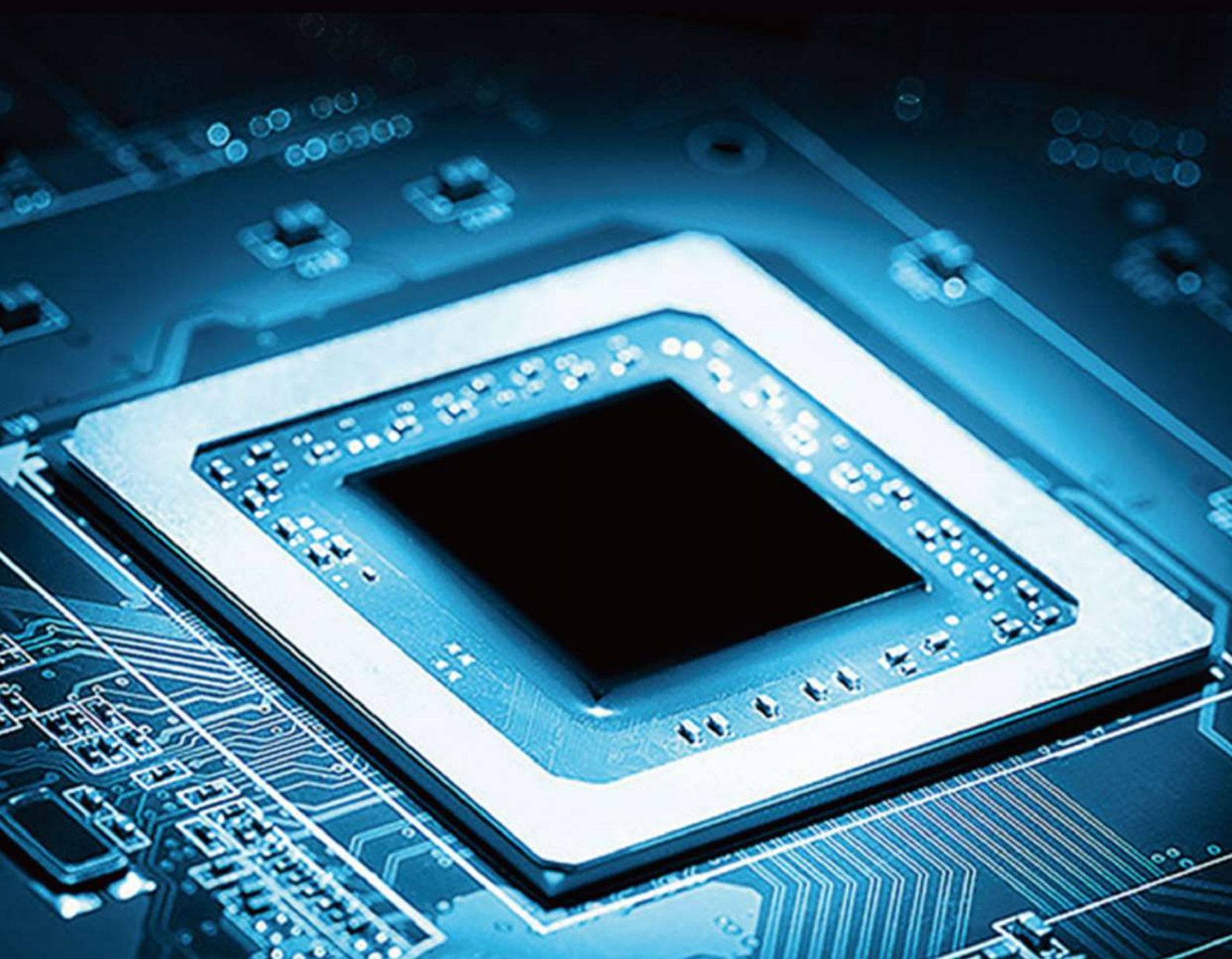
Accuracy

1%

Max-deviation

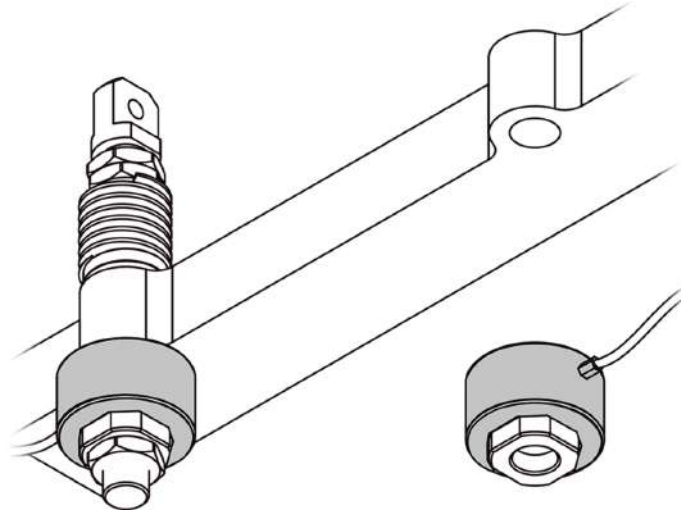
1 kg

Scale division



“Small size, Smart functions”

Weighing scope : 50 -5000 kg
Highly reliable sensor,
to guarantee durably accuracy



“Adding up function”

Adding up by every weighing,
Easily achieve weights adding up of

1. One shipment containing multi packages
2. The whole truck containing multi shipment

“Printing function”

One weighing, one printout,
easily stamps every load

Built-in printer can print weight information out,
and stamp on each package



“More reliable & durable”

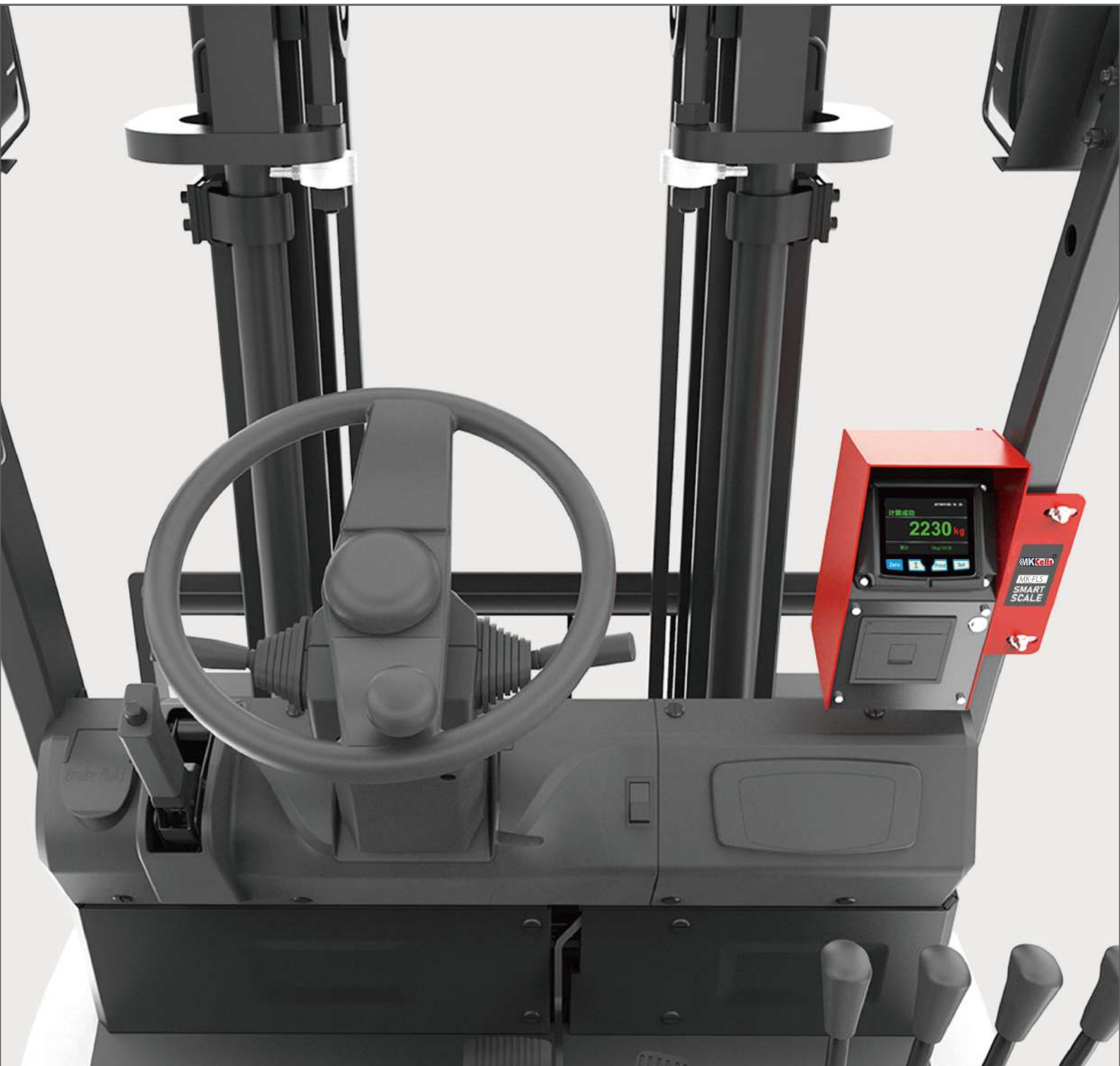
Shielded frame + hidden-style structure

1. Full metal case can withstand impact
2. Water-proof design is practical for outdoor working
3. The weighing function is stable , even under the impact of forks or fork frame
4. Don't have any limitation to the forklift while operating



“Fairly easy to use”

**Ergonomically styled,
Simplified operating process,
Learning to use it only takes you 3 minutes.**



“Maintenance friendly”

**Vehicle- carrying power support,
join up the forklift battery system,
when scale installing
Once installed, no need to extra charge
or do any maintenance**



“More reliable”

**Patented installation structure,
No need any modification to lifting system
No loss of forklift ability
No extra safety risk
No loss of operating view**



0 ZERO
modification
to forklift
frame



“Alarm for overloading”

**It has “ Max- loading capacity ” setup.
When forklift over loading,
it will alarm in advance**



“More accurate”

Industrial quality make sure every precious weighing

15 Years

technology from
engineering vehicle

200,000

continually
heavy testing

5,000⁺ Hours

accurate operation
under harsh condition

“More thoughtful”








Satisfactory service, supported by MKCells technical team

On-line technical support ;

Warranty period 1 year



MK-FLS Smart Scale Specification

Manufacturer	MKCells
Model	MK-FLS
Size	30 x 14 x 12 cm
Precious sensor Protection level: IP67	
Full metal case Protection level: IP53	
LCD Panel Size : 3.5 in	
Multi - functional Data processor	
Bar code thermal printer Label size : 54 X 35 mm	
Wireless data box (WDB) Size : 130 X 60 X 25 mm	
Lithium battery for WDB 6000Ah 8.4V	
Suitable mast	Duplex Mast
Working temperature	-20°C ~ 65°C
Working voltage	12 ~ 36v
Weighing data	Scope: 50kg-5000kg Accuracy 99% Max deviation 1% Scale division 1kg

MK Solution (USA), INC.

Add: Plaza Vegas, 3305 Vest Spring Mountain Rd., #48, Las Vegas, Nevada 89102, USA.

E-mail: sales@mk-cells.com

www.mk-cells.com