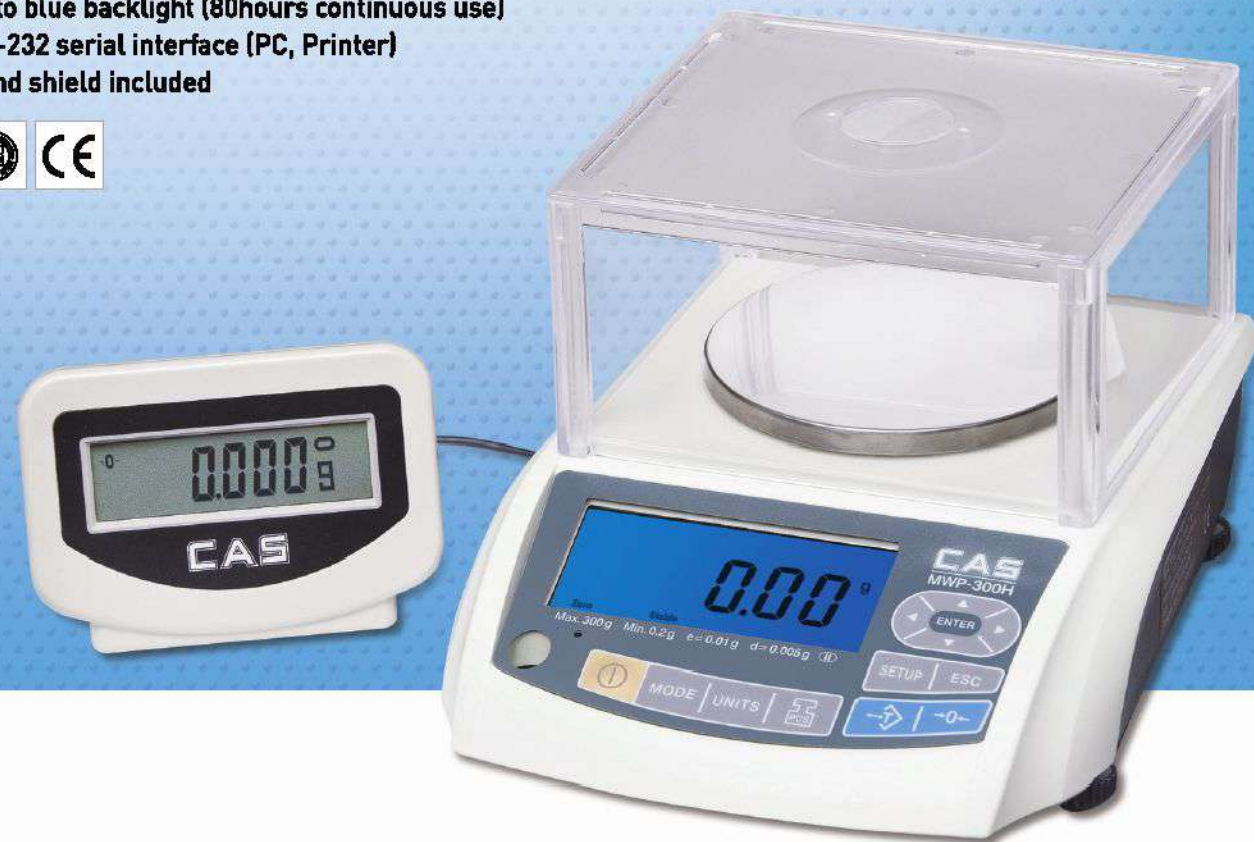


MWP SERIES

MWP SERIES Micro Weighing Scale

Micro Weighing Scale

- High accuracy
- Total 8 Units available (g, ct, lb, oz, GN, ozt, dwt, tl)
- Counting, Weighing, Percentage Function Modes
- Auto blue backlight (80hours continuous use)
- RS-232 serial interface (PC, Printer)
- Wind shield included



FEATURES

- High accuracy
- Total 8 Units available (g, ct, lb, oz, GN, ozt, dwt, tl)
- Counting, Weighing, Percentage Function Modes
- Auto blue backlight (80hours continuous use)
- Built-in rechargeable battery
- RS-232 serial interface (PC, Printer)
- Wind shield included
- Over load alarm function
- Auto power off function
- Auto span calibration & Auto zero tracking

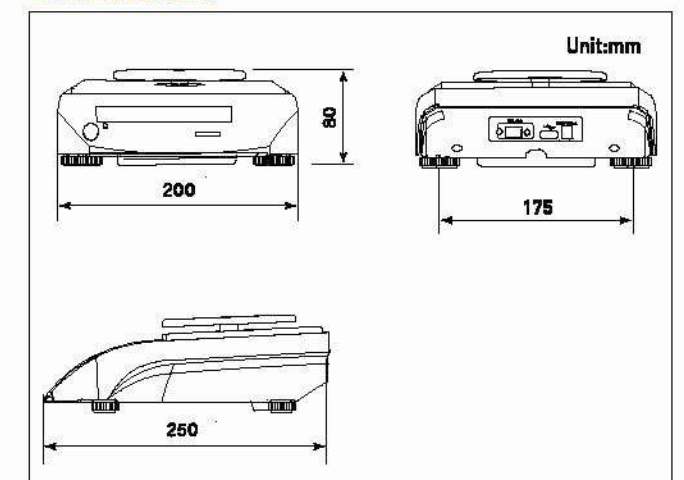
LARGE PLATTER



SPECIFICATIONS

| Model | MWP-N | MWP-H |
|------------------------------|--|---|
| Weighing Capacity | 150 0.005g, 300 0.01g, 600 0.02g 1500 0.05g, 3000 0.1g | 300 0.005g, 600 0.01g 1200 0.02g, 3000 0.05g |
| Maximum Displayed Resolution | 1 / 30,000 | 1 / 60,000 |
| Application Modes | Weighing, Counting and Percentage (%) | |
| Display | 6 digits LCD (40 x 95mm) with Auto Backlight | |
| Operating Temperature | 0°C ~ +40°C | |
| Power Source | AC Adapter 12V DC/500mA, Internal Rechargeable Lead Acid Battery | |
| Battery Life | 80 Hours Continuous Use with 12 Hours Recharge Time | |
| Interface | RS-232 or USB Output (Option) | |
| Platter Size (mm) | 150g-600g : 116, 1200g-3000g : 124 144 | |
| Dimensions (mm) | 200(W) 250(D) 80(H) | |
| Product Weight | 1.1 kg (Net) | |

DIMENSIONS



OPTION

- USB Interface
- Auxiliary LCD Display



CAS BLDG., # 440-1, SUNGNAE DONG,
GANGDONG GU, SEOUL, KOREA
TEL_ 82 2 2225 3500
FAX_ 82 2 475 4668
<http://www.globalcas.com>

Specifications are subject to change for improvement without prior notice.